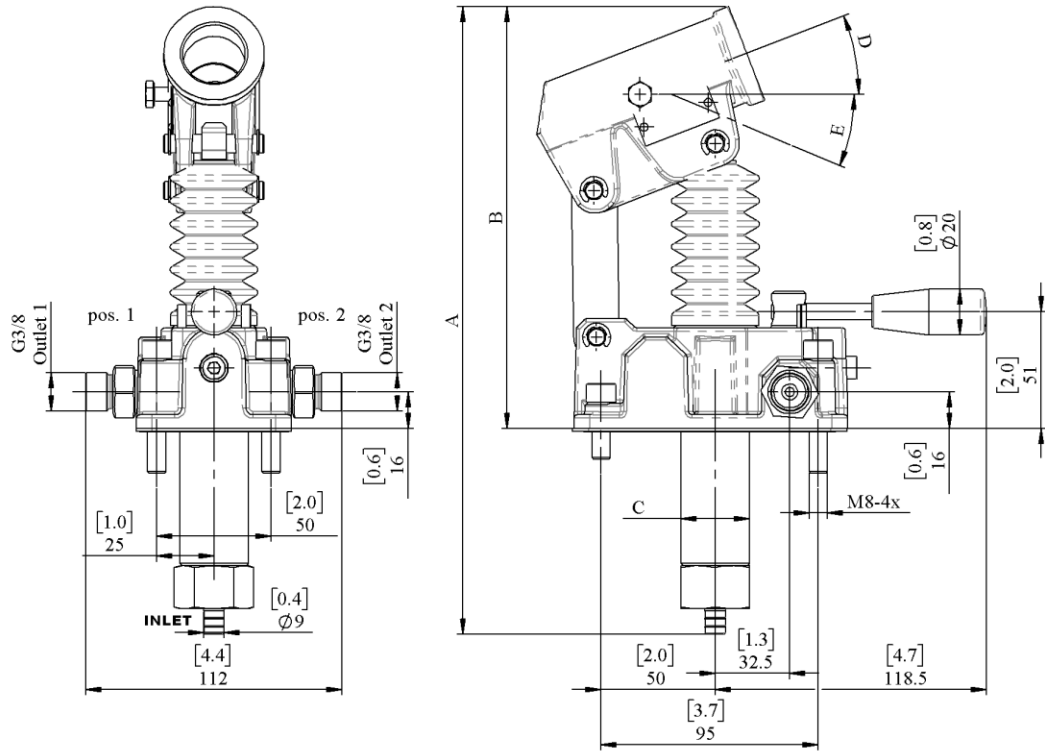
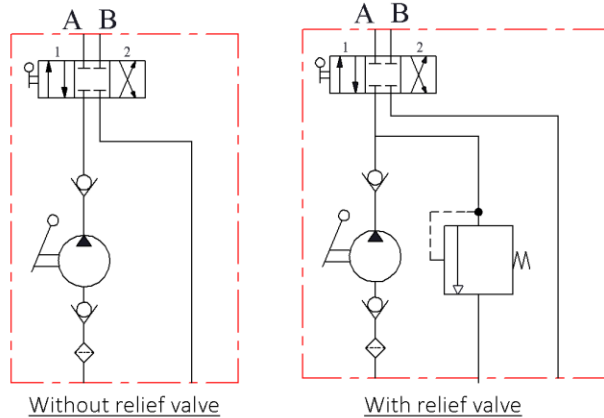


**Dimensional data:**



Hydraulic schemes



Type	A		B		C	D	E	mass	
	mm	in	mm	in				kg	lbs
PRBD12	274	10.8	184	7.2	30.0	1.2	21	20	4.0 8.8
PRBD25	286	11.3	195	7.7	35.0	1.2	34	21	4.2 9.3
PRBD45	307	12.1	200	7.9	40	1.6	53.0	25	4.5 9.9